



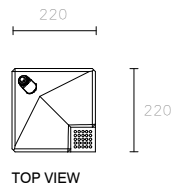
ref. 373 - COLUNA R_drinking fountain

MATERIAL_CONCRETE
CONCRETE FINISHING_HYDROFUGATED
CONCRETE COLOR_NATURAL CONCRETE
WEIGHT_110kg
FIXING_GROUND INCORPORATE

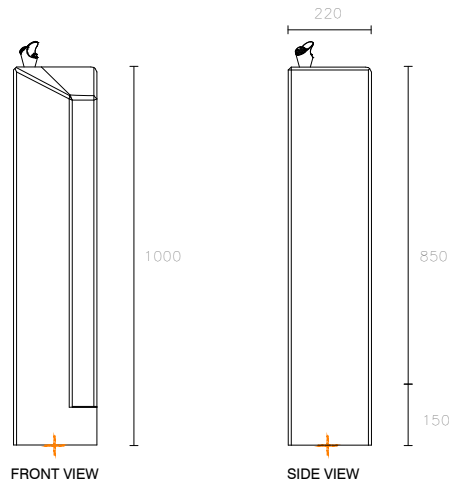
SiT

TECHNICAL DETAILS scale 1/20

+ FIXING POINT



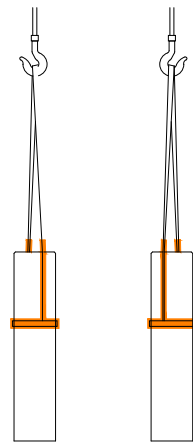
TOP VIEW



FRONT VIEW

SIDE VIEW

ELEVATION scale 1/40

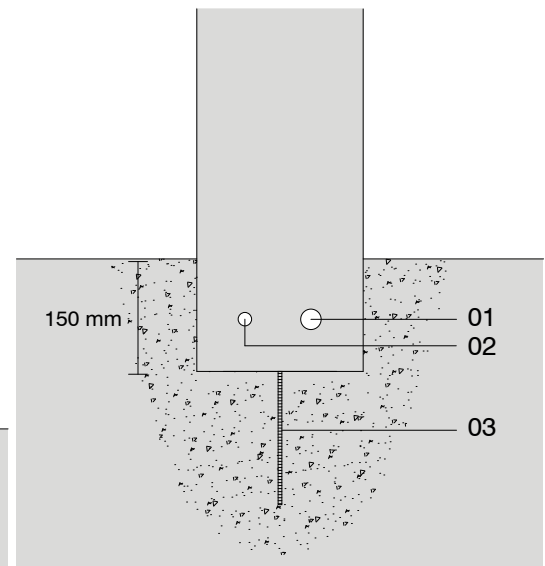


LIFT WITH POLYESTER STRAPS AND PROTECT INTO CONTACT

FIXING scale 1/10

TEEL BAR 150mm FIXED IN INTERIOR NUT
AND GROUND INCORPORATE

01_wastepipe pvc 32 mm
02_water supply pex 16 mm
03_steel bar 150mm



www.aboutsit.com . info@aboutsit.com

Av. Nossa Sra. da Vitória, 8 . S. Jorge | 2480-062 Porto de Mós .
Portugal | tel. +351 244 482 525 | GPS: 39°37'50.71''N 8°51'10.44''W